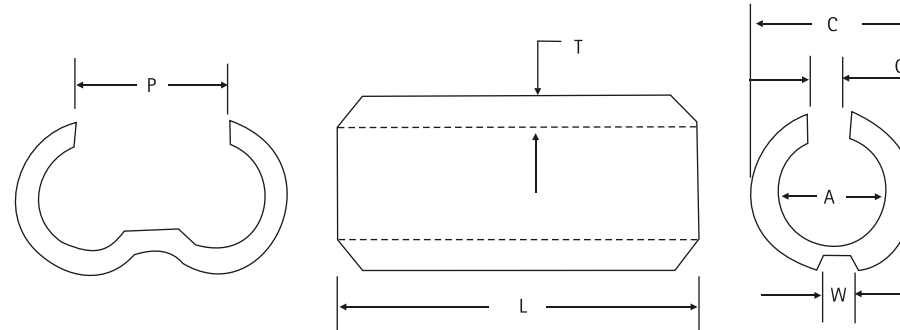


SOLDERING TYPE COPPER WEAK BACK FERRULES

Braco Soldering Type Weak Back Ferrules are manufactured out of copper and are used to solder straight through joints. Tinning is provided to give better finish, to avoid oxidisation and to achieve maximum corrosion protection.



Material Copper BS: 1997
Finish: Electro Tinned

Size Sq. mm	Dimensions						Code No.
	A	C	G	L	T	P	
6	3.0	4.6	2	20	0.8	3	WB - 79
10	4.4	6.0	2	25	0.8	4	WB - 80
16	5.5	7.5	2	25	1.0	5	WB - 81
25	7.0	9.0	2	30	1.0	7	WB - 82
35	8.0	10.4	2	35	1.2	8	WB - 83
50	9.5	11.9	2	40	1.2	9	WB - 84
70	12.0	14.8	3	45	1.4	12	WB - 85
95	13.5	16.3	3	50	1.4	13	WB - 86
120	15.5	18.7	4	55	1.6	15	WB - 87
150	17.0	20.6	4	60	1.8	16	WB - 88
185	18.5	22.9	4	65	2.2	18	WB - 89
225	20.5	24.9	5	75	2.2	20	WB - 90
240	22.0	26.4	5	80	2.2	21	WB - 91
300	24.0	29.6	5	85	2.8	23	WB - 92
400	28.5	34.7	7	95	3.1	27	WB - 93
500	30.5	37.5	7	105	3.5	30	WB - 94
625	34.5	42.5	8	115	4.0	33	WB - 95

