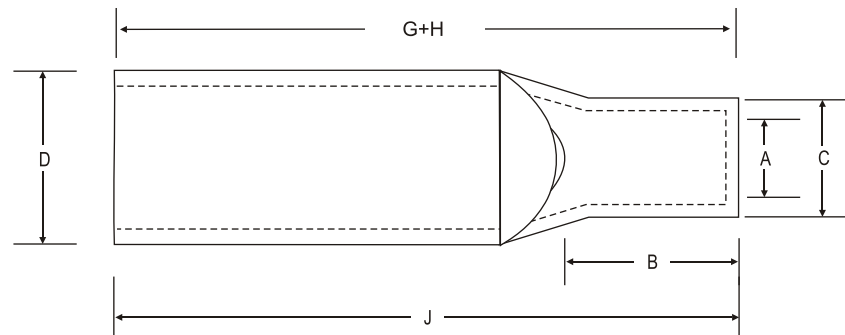


BRACO EXTENDED PALM BLANKS COPPER CRIMPING TERMINAL ENDS FOR COPPER CONDUCTORS

Braco Copper Long Palm Terminals are manufactured from Electrolytic Copper tube. These are used where more secured termination is required as it can easily accommodate two bolts to reduce drift. All terminals are standard with blank palm and stud holes can be punched to order. These terminals are normally used in vibrating applications. The presence of inspection hole facilitates full insertion of conductor. The terminals are tin plated to avoid oxidization and to achieve maximum corrosion protection.



Material Copper BS: 1977
Finish: Electro Tinned

Size Sq. mm	Dimensions						Code No.
	A	C	D	B	G+H	J	
50	9.5	12.4	18	16	42	64	CT - 466
70	11.2	14.7	21	18	50	75	CT - 467
95	13.5	17.4	25	20	52	81	CT - 468
120	15.0	19.4	28	22	56	88	CT - 469
150	16.5	21.2	30	26	64	101	CT - 470
185	18.5	23.5	34	32	68	112	CT - 471
240	21.0	26.5	38	38	80	132	CT - 472
300	23.5	30.0	43	42	88	145	CT - 473
400	28.5	36.5	53	44	104	166	CT - 474
500	30.0	39.0	56	48	112	180	CT - 475
625	35.0	45.0	65	56	132	210	CT - 476

